

PART NAME	LARGE NON-METALLIC ENCLOSURE (STYLE C)	PART No.	NBC-10352	REV. DATE	6-26-07
-----------	--	----------	-----------	-----------	---------

MATERIAL:
 BODY & DOOR ____ ABS/PC BLENDED PLASTIC
 UL94-5VB FLAMMABILITY RATING
 LATCHES, HINGES & PANEL
 BRACKETS _____ NON-METALLIC
 WALL MOUNTING BRACKETS ____ STAINLESS STEEL

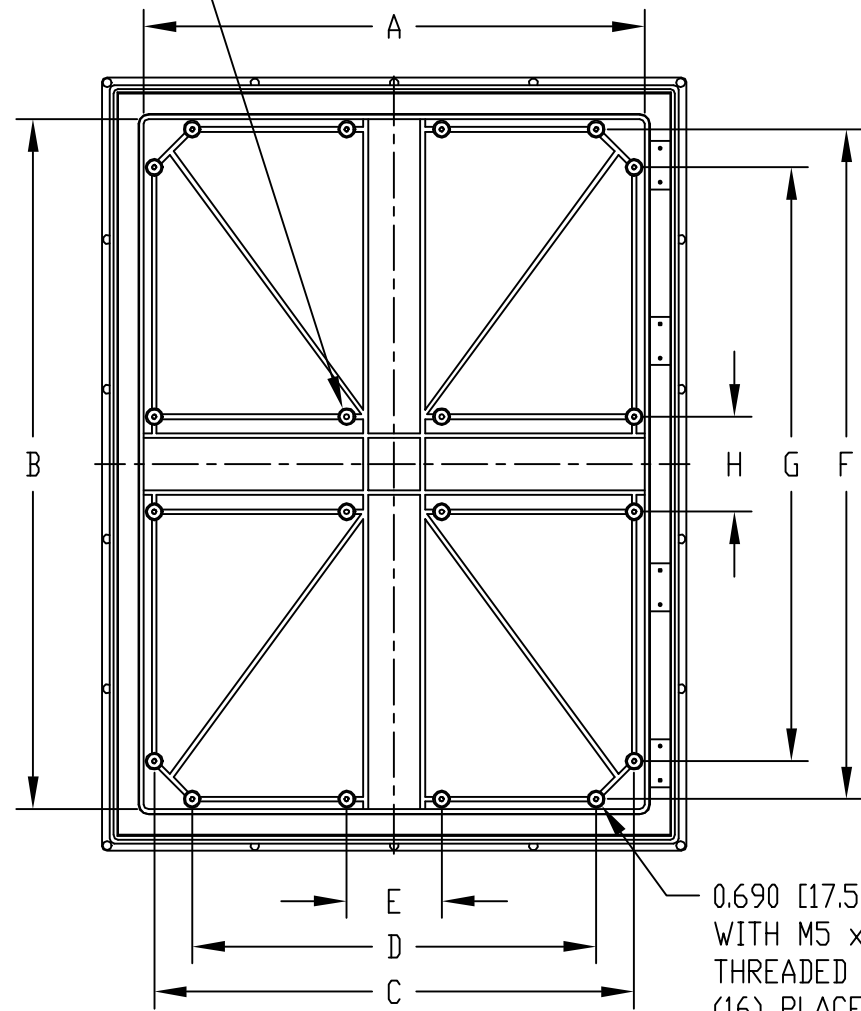
FINISH:
 BODY & DOOR _____ LIGHT GRAY
 DOOR INCLUDES GRAY POLYURETHANE GASKET.

UNIT COMES COMPLETE WITH:
 (8) WALL MOUNTING BRACKETS
 (20) M5 x 10mm LG. TRUSS HD. MACHINE SCREWS
 (8) PANEL BRACKETS
 (8) M4 x 18mm LG. PAN HD. SELF-TAPPING SCREWS
 (1) T-HANDLE KEY & (2) DOOR KEYS

AIR AND MOISTURE VENTS,
 STAINLESS STEEL LOCKING HASP,
 & GALVANIZED STEEL INTERNAL
 PANEL ARE NOT INCLUDED, BUT
 CAN BE PURCHASED SEPARATELY.

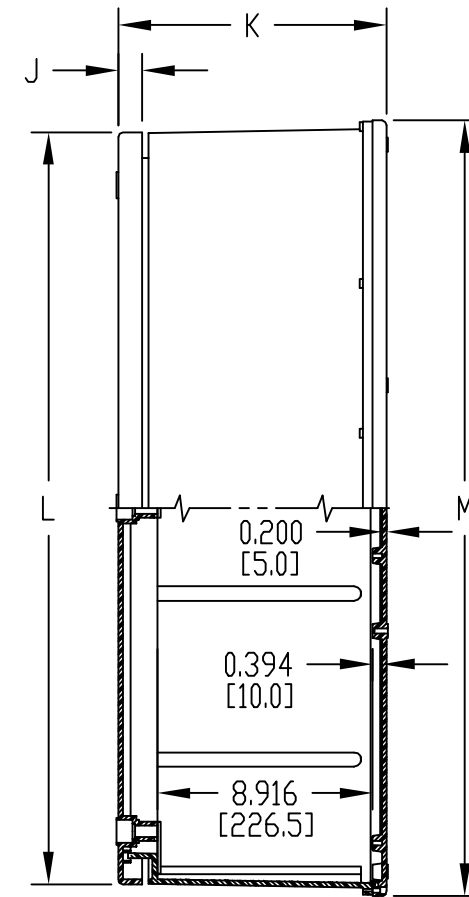
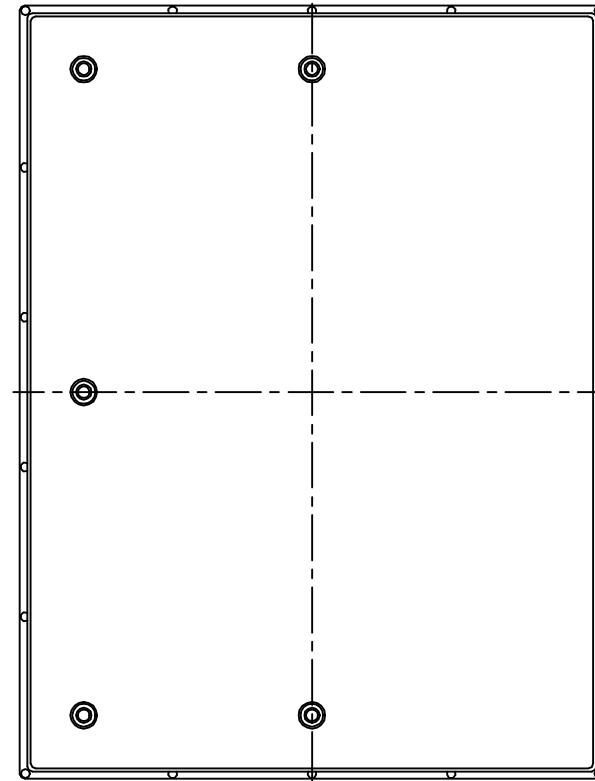
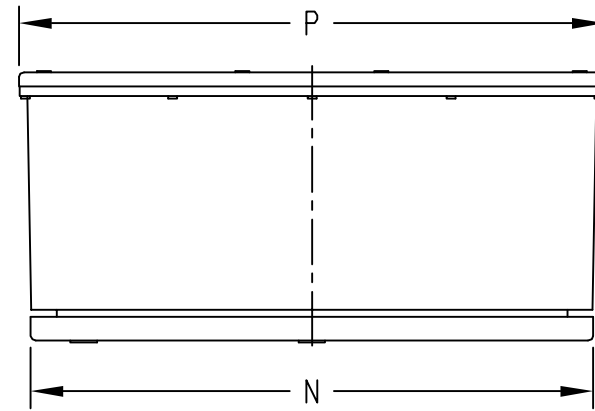
INDUSTRY STANDARDS:
 UL508 TYPE 1, 2, 4, 4X INDOOR,
 12 & 13
 NEMA TYPE 1, 2, 4, 4X, 12 & 13
 IEC529-IP65

0.690 [17.5] DIA. BOSS WITH 0.200 [5] DIA.
 HOLE x 0.395 [10] DEEP (4) PLACES
 BOSSES ACCEPT M6 METRIC OR 0.250" STD. SHEET
 METAL SCREWS x 0.375 [9] LG. (NOT SUPPLIED)

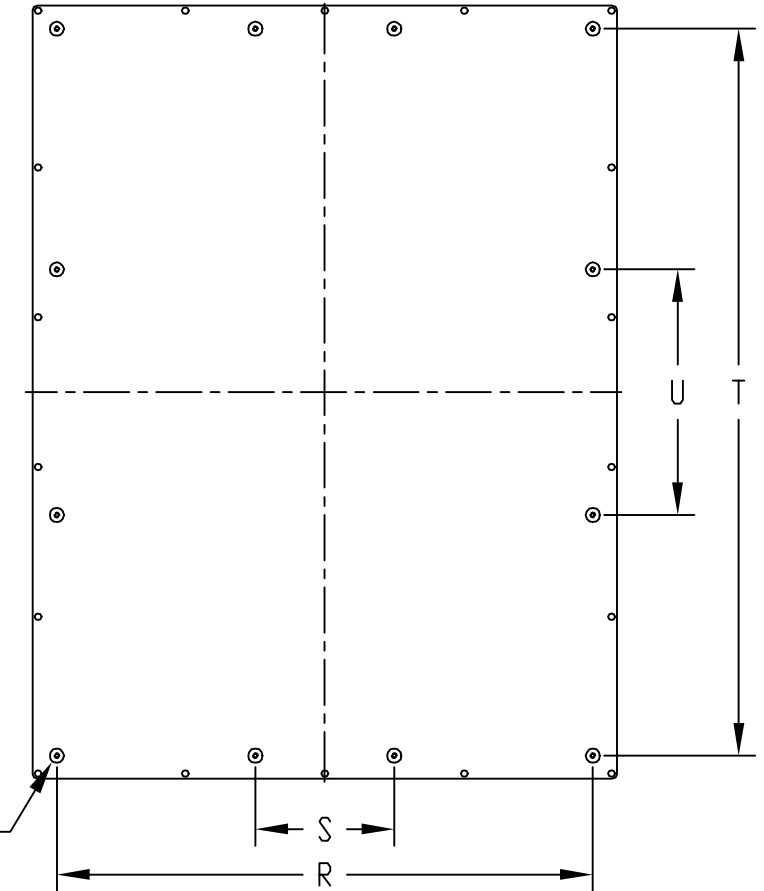


VIEW LESS DOOR

0.690 [17.5] DIA. BOSS
 WITH M5 x 0.8mm
 THREADED BRASS INSERT
 (16) PLACES



0.590 [15] DIA. BOSS
 WITH M5 x 0.8mm
 THREADED BRASS INSERT
 (12) PLACES



NOTE: ALL DIMENSIONS HAVE ±0.039 [±1] TOLERANCE
 UNLESS OTHERWISE SPECIFIED

DIMENSIONS = INCHES
 [MILLIMETERS]

PART NO.	A	B	C	D	E	F	G	H	J	K	L	M	N	P	R	S	T	U
NBC-10352	20.740 [526.5]	28.610 [726.5]	19.860 [504]	16.703 [424]	3.900 [99]	27.734 [704]	24.562 [623.5]	3.900 [99]	0.985 [25]	11.125 [282]	31.070 [789]	32.050 [814]	23.225 [589.5]	24.180 [614]	22.203 [563.5]	5.750 [146]	30.125 [765]	10.175 [258]